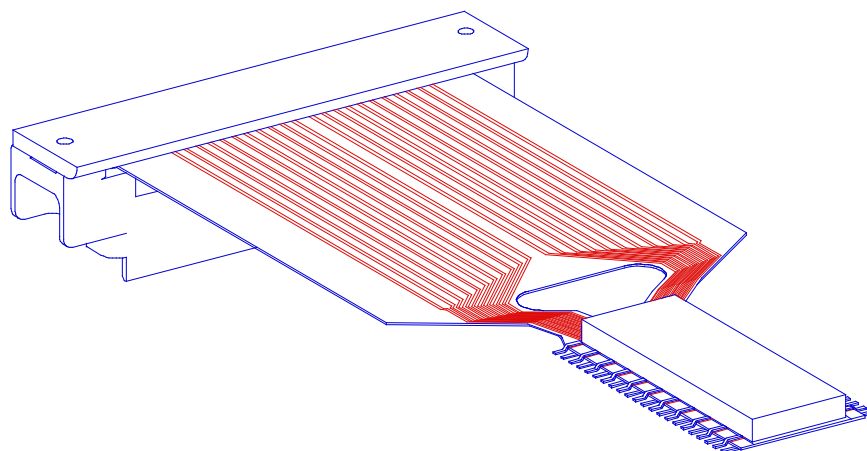


# ALP TEX

## Probes For Fine Pitch Connections



PSOP FlexProbes  
1,27mm (.050") Pitch

# PSOP FlexProbes 1,27mm (.050") Pitch

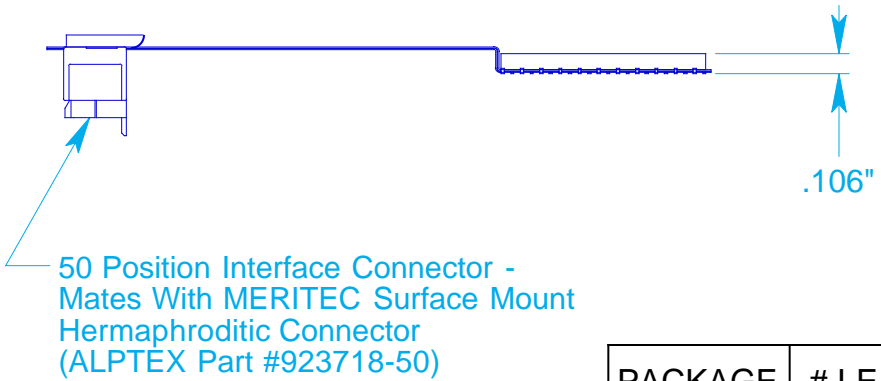
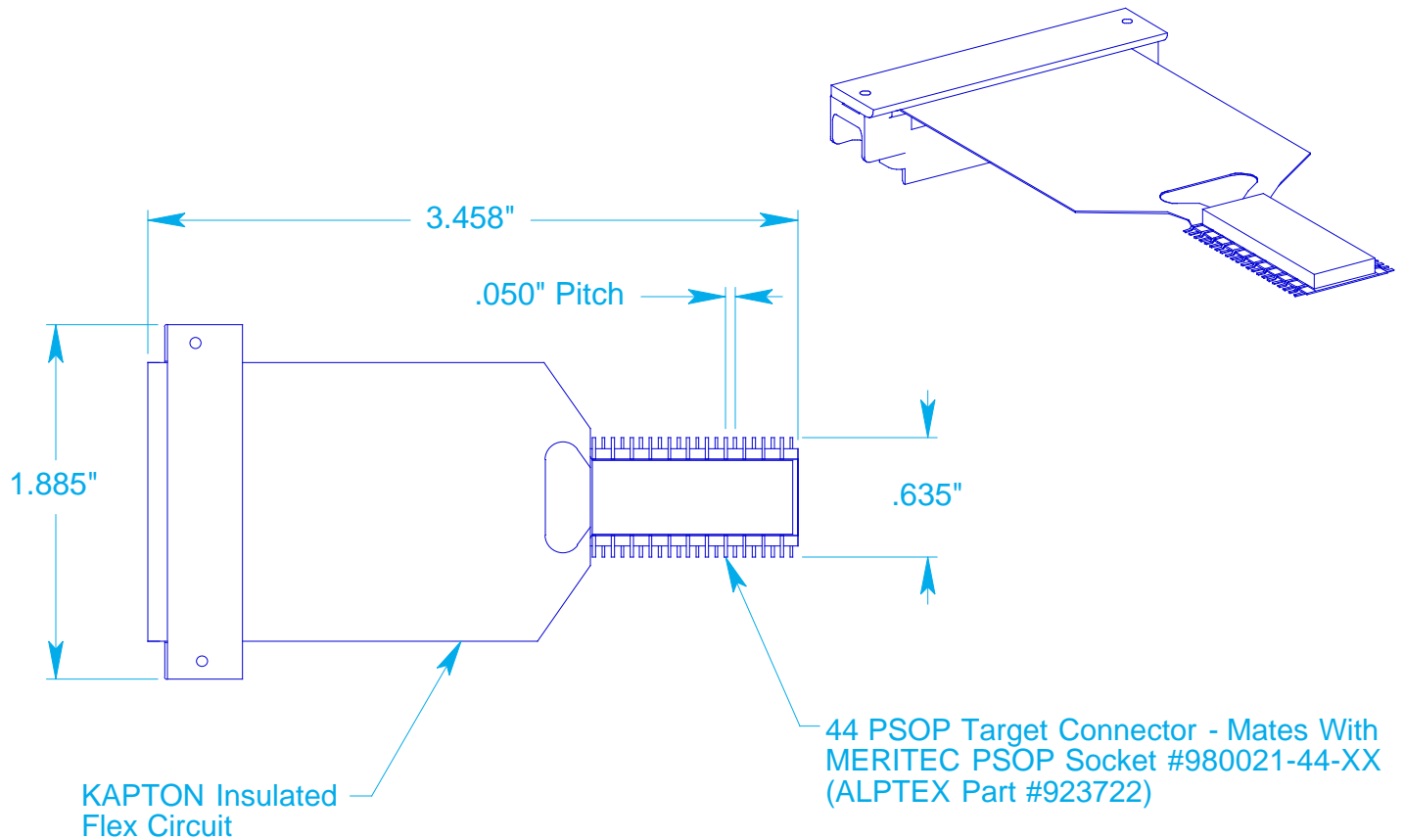
## Data/Application Sheets

ALPTEX Part Number	Description
923708	Standard Pinout, "Hermi" Connector, Socket Type, 44 Lead
923726	Standard Pinout, "Hermi" Connector, Direct Solder Type, 44 Lead

.pdf files are also available for the following:

- 0,50mm (.0197") Pitch TSOP FlexProbes...TSOP\_FP.pdf
- 0,8mm (.0315") Pitch SSOP FlexProbes...SSOP\_FP.pdf
- 1,27mm (.050") Pitch PLCC FlexProbes...PLCC\_FP.pdf
- 0,75mm (.0295") Pitch microBGA FlexProbes...mBGA\_FP.pdf
- FlexProbe Extenders...EXTENDFP.pdf

# 44 PSOP FlexProbe



		<b>ALPTEX</b>
<b>PACKAGE</b>	<b># LEADS</b>	<b>PART NUMBER</b>
PSOP	44	923708-44

## FEATURES:

- THE MOST FLEXIBLE "TARGET" INTERCONNECT AVAILABLE...MINIMIZES PHYSICAL STRAIN ON THE SOCKET.
- A UNIQUE SOLUTION FOR CONNECTING TO MERITEC PSOP SOCKETS.
- FITS INTO SOCKET LIKE A COMPONENT PACKAGE.
- UTILIZES THE MERITEC SOCKET'S "POSITIVE LOCK" FEATURE TO MAINTAIN A SECURE CONNECTION DURING USE.
- SPRING TEMPER NICKEL-SILVER CONTACTS EXCEED INDUSTRY COMPONENT LEAD REQUIREMENTS.
- COMPACT LENGTH VIRTUALLY ELIMINATES CROSSTALK / EMI PROBLEMS.
- MERITEC HERMAPHRODITIC CONNECTOR PROVIDES A DEPENDABLE AND COMPACT INTERFACE FOR YOUR TEST / EMULATION CIRCUITRY.
- MADE ENTIRELY IN THE U.S.A.
- FLEXPROBES FOR EMULATING OTHER POPULAR COMPONENT PACKAGES ARE ALSO AVAILABLE...CONSULT FACTORY.

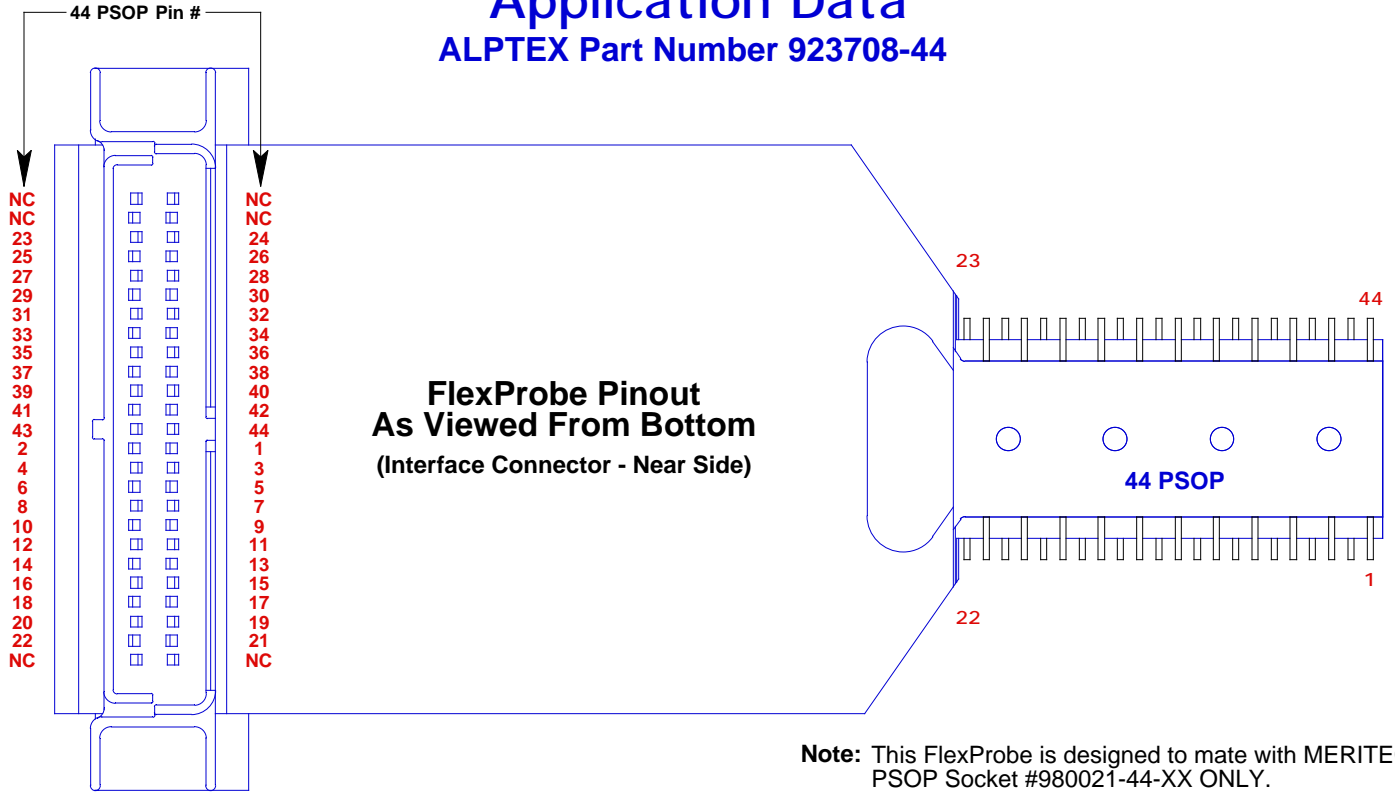
**ALP**  
**TEX** Incorporated  
P.O. Box 476  
Orwell, Ohio 44076  
(440)437-5570 • (440)437-5571 FAX  
[www.alptex.com](http://www.alptex.com)

ALL STATEMENTS, SPECIFICATIONS AND TECHNICAL INFORMATION ON THIS DATA SHEET ARE SUBJECT TO CHANGE AT ANY TIME WITHOUT NOTICE.

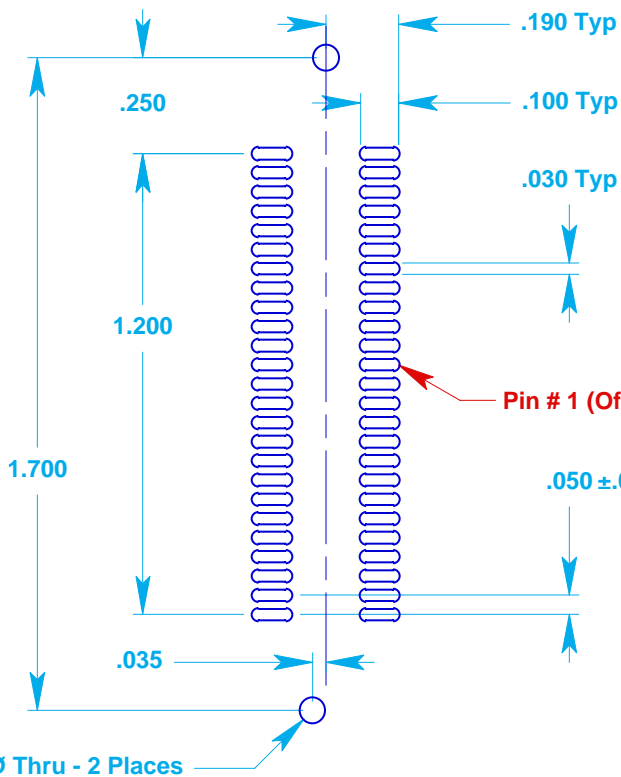
CONTENTS

APP DATA

# 44 PSOP FlexProbe Application Data ALPTEX Part Number 923708-44



**Note:** This FlexProbe is designed to mate with MERITEC PSOP Socket #980021-44-XX ONLY. It is not intended for use with other sockets or in solder down applications.

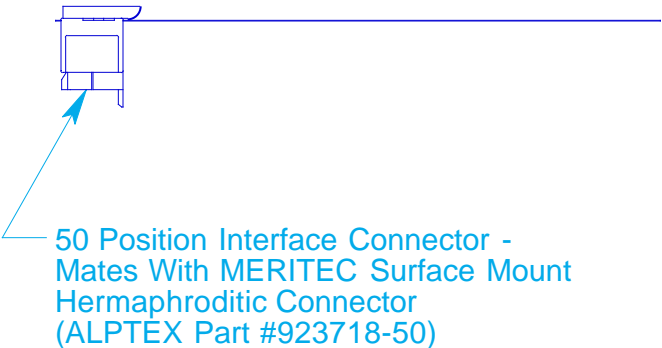
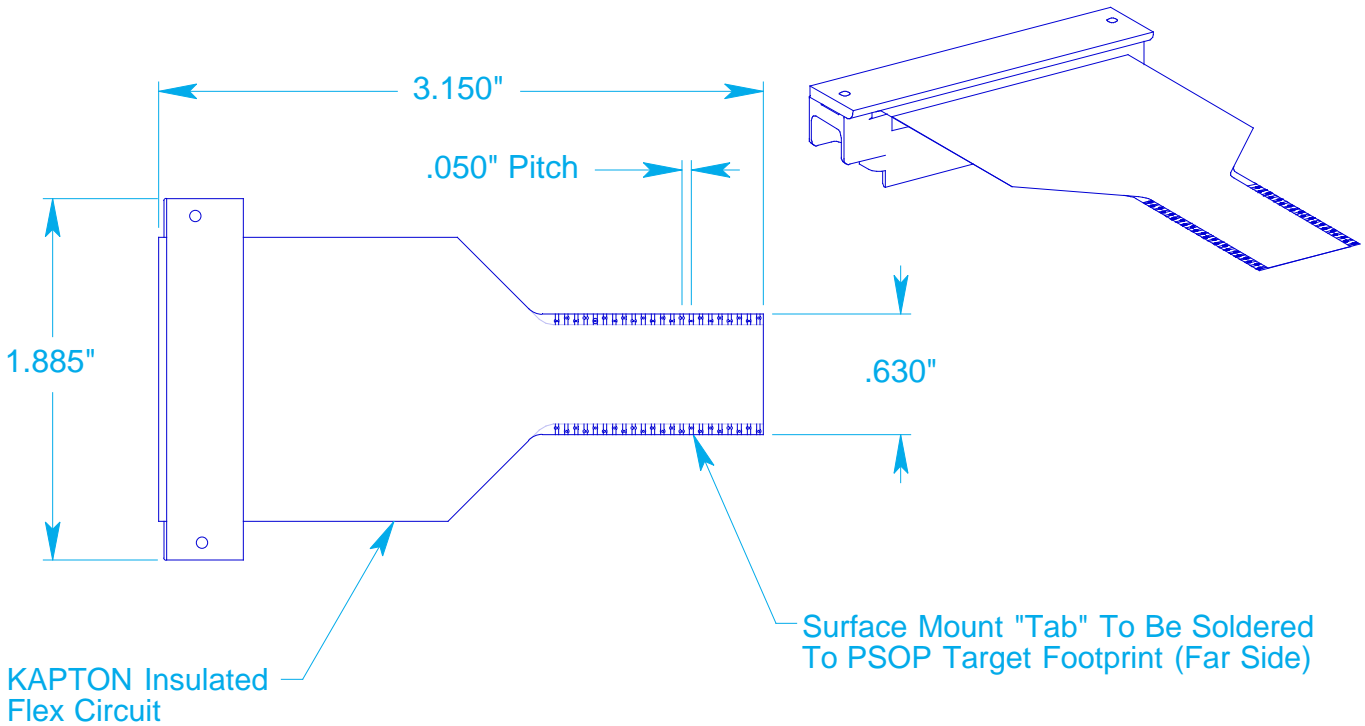


**P C Board Pad Pattern  
For Mating MERITEC Connector  
ALPTEX Part #923718-50  
(Solder Pads - Near Side)**

**ALP  
TEX** Incorporated  
P.O. Box 476  
Orwell, Ohio 44076  
(440)437-5570 • (440)437-5571 FAX  
www.alptex.com

ALL STATEMENTS, SPECIFICATIONS AND TECHNICAL INFORMATION ON THIS DATA SHEET ARE SUBJECT TO CHANGE AT ANY TIME WITHOUT NOTICE.

# PSOP FlexProbe (Direct Solder)



		<b>ALPTEX</b>
PACKAGE	# LEADS	PART NUMBER
PSOP	44	923726-44

**FEATURES:**

- THE MOST FLEXIBLE "TARGET" INTERCONNECT AVAILABLE...MINIMIZES PHYSICAL STRAIN ON THE TARGET PADS.
- A UNIQUE SOLUTION FOR CONNECTING DIRECTLY TO YOUR P. C. BOARD.
- REFLOW SOLDERS TO STANDARD PSOP PAD PATTERN.
- ELIMINATES NEED TO ALTER P. C. BOARD BETWEEN DEVELOPMENT AND PRODUCTION PHASES.
- COMPACT LENGTH VIRTUALLY ELIMINATES CROSSTALK / EMI PROBLEMS.
- MERITEC HERMAPHRODITIC CONNECTOR PROVIDES A DEPENDABLE AND COMPACT INTERFACE FOR YOUR TEST / EMULATION CIRCUITRY.
- MADE ENTIRELY IN THE U.S.A.
- FLEXPROBES FOR EMULATING OTHER POPULAR COMPONENT PACKAGES ARE ALSO AVAILABLE...CONSULT FACTORY.


**ALPTEX** Incorporated  
 P.O. Box 476  
 Orwell, Ohio 44076  
 (440)437-5570 • (440)437-5571 FAX  
[www.alptex.com](http://www.alptex.com)

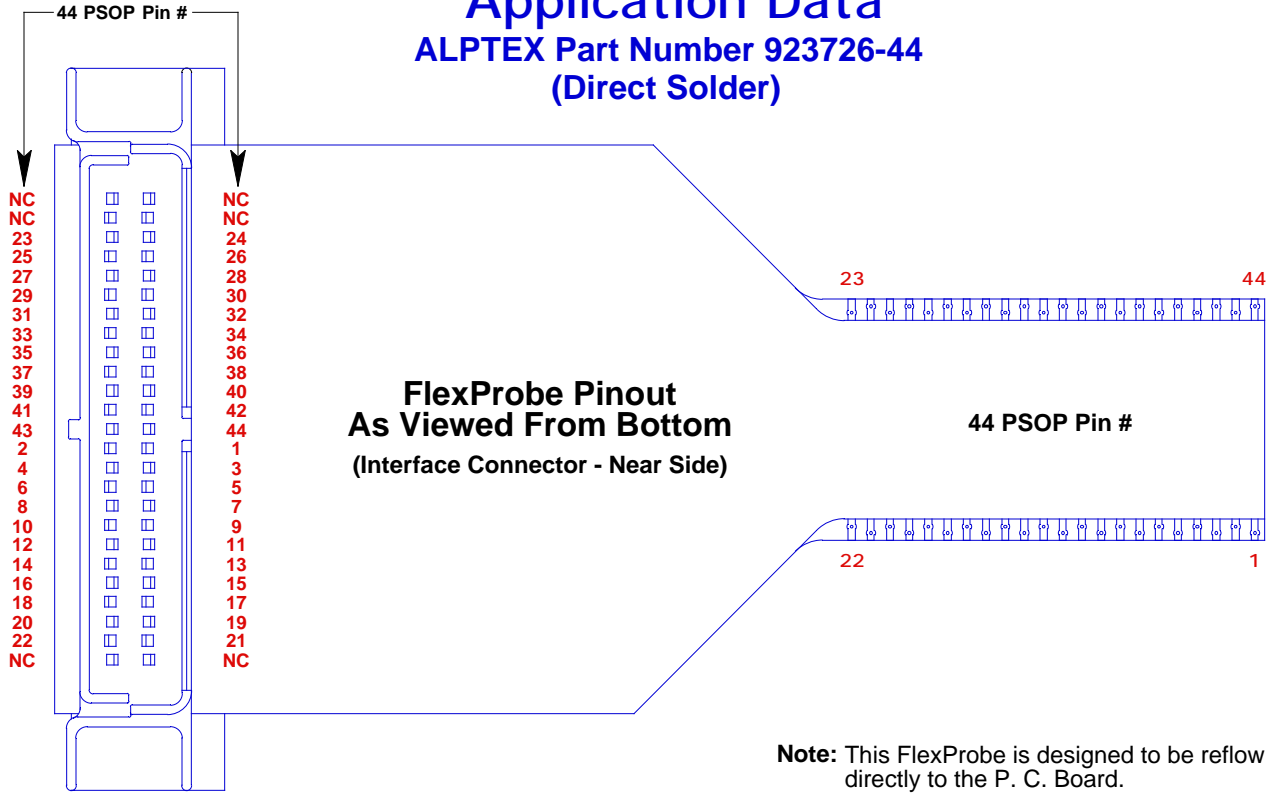
ALL STATEMENTS, SPECIFICATIONS AND TECHNICAL INFORMATION ON THIS DATA SHEET ARE SUBJECT TO CHANGE AT ANY TIME WITHOUT NOTICE.

CONTENTS

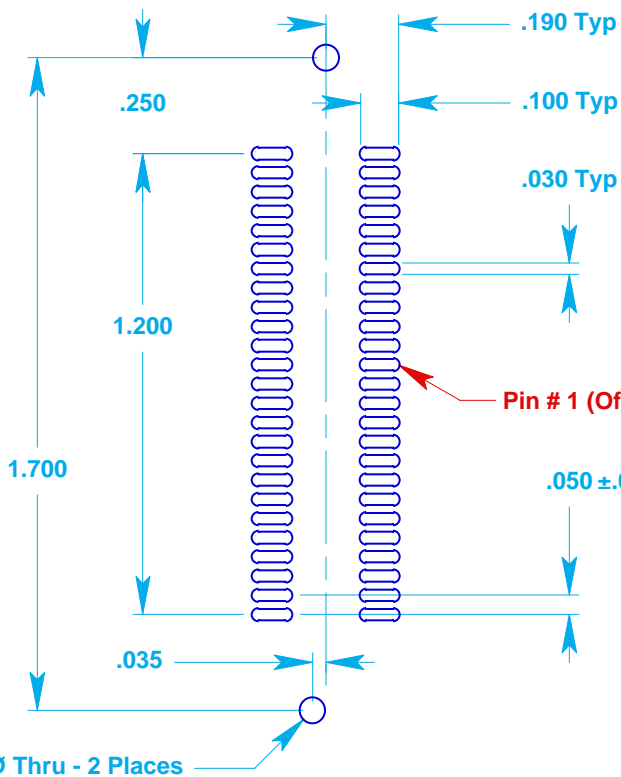
APP DATA

# PSOP FlexProbe Application Data

ALPTEX Part Number 923726-44  
(Direct Solder)



**Note:** This FlexProbe is designed to be reflow soldered directly to the P. C. Board.  
It is not intended for use with sockets.



## P C Board Pad Pattern For Mating MERITEC Connector

ALPTEX Part #923718-50

(Solder Pads - Near Side)

**ALP  
TEX** Incorporated

P.O. Box 476

Orwell, Ohio 44076

(440)437-5570 • (440)437-5571 FAX

[www.alptex.com](http://www.alptex.com)

ALL STATEMENTS, SPECIFICATIONS AND TECHNICAL INFORMATION ON THIS DATA SHEET ARE SUBJECT TO CHANGE AT ANY TIME WITHOUT NOTICE.